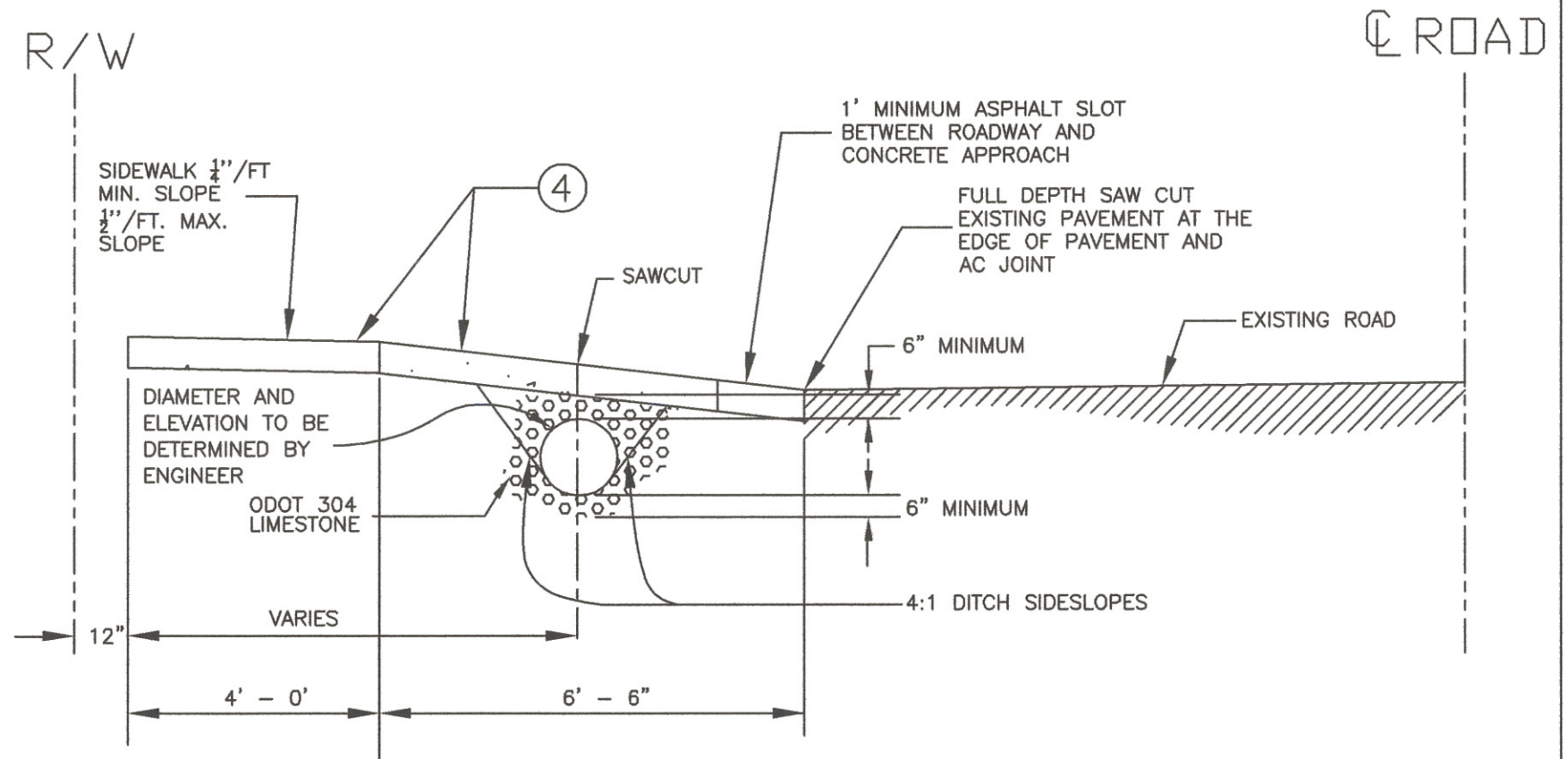
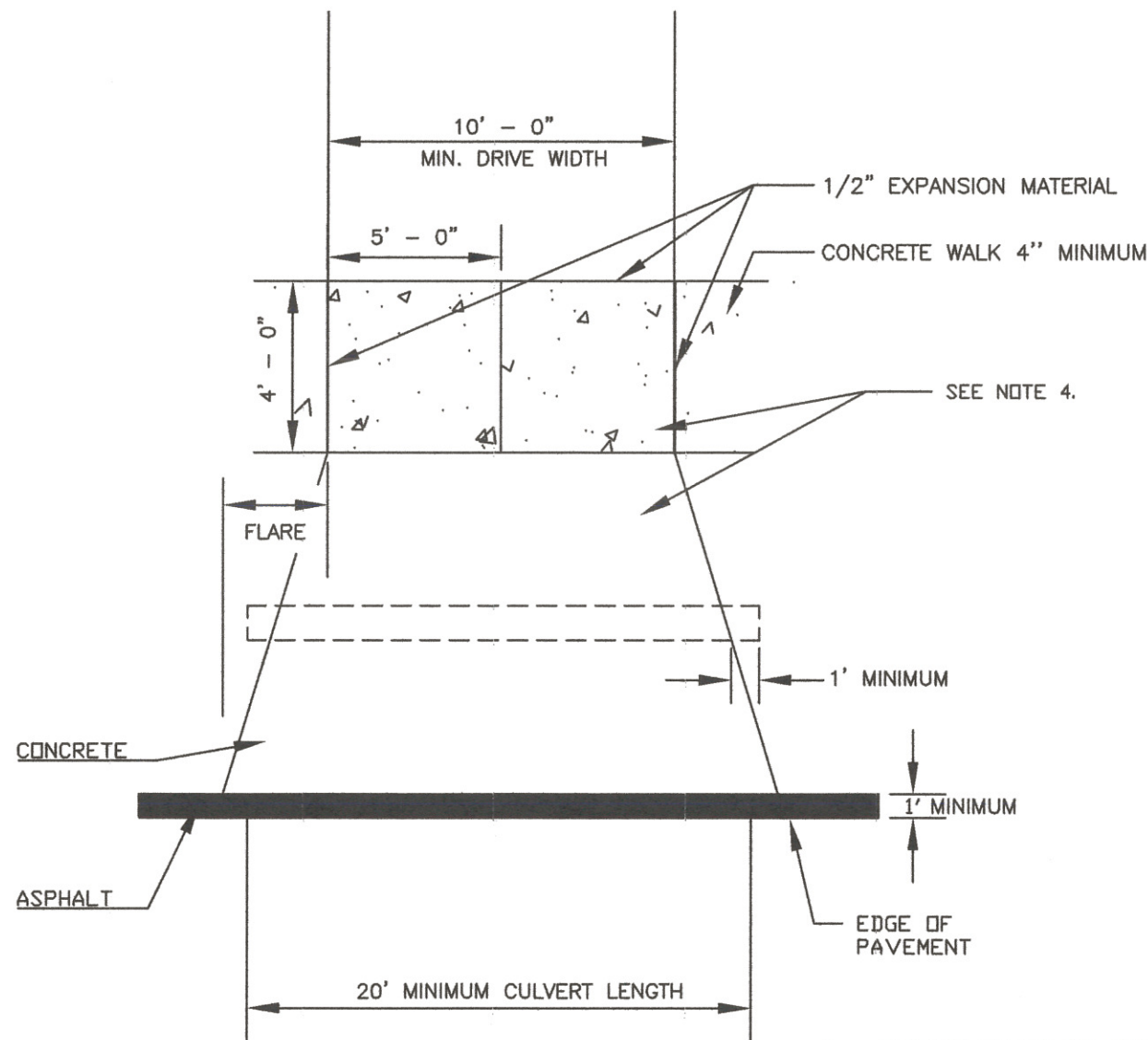


NEW CULVERT INSTALLATION ASPHALT ROAD WITH SIDEWALK



1. PERMIT MUST BE OBTAINED AT BUILDING DEPT.
2. OWNER/CONTRACTOR MUST NOTIFY THE CITY OF STOW ENGINEERING DEPARTMENT 72 HR PRIOR TO INSTALLATION IN ORDER TO DETERMINE THE INVERT ELEVATION AND SIZE OF THE CULVERT TO BE INSTALLED.
3. OWNER/CONTRACTOR MUST CONFIRM WITH THE CITY OF STOW ENGINEERING DEPARTMENT, A MINIMUM OF 24 HOURS IN ADVANCE TO THE SCHEDULE INSTALLATION INSPECTION.
4. 6" MIN. CONCRETE RESIDENTIAL APPROACH AND SIDEWALK WITH 3' STANDARD FLARE.
8" MIN. CONCRETE COMMERCIAL APPROACH AND SIDEWALK AND FLARE APPROVED ON SITE PLAN.

CITY OF STOW, OHIO ENGINEERING DEPT.
CONSTRUCTION STANDARD
DRAWN BY: MJJ DATE REVISED: 3/3/16
CITY ENGINEER: <i>James D. McCleary</i>
DATE: <u>3/4/16</u>
DWG FILE: SDS-5 N.T.S.