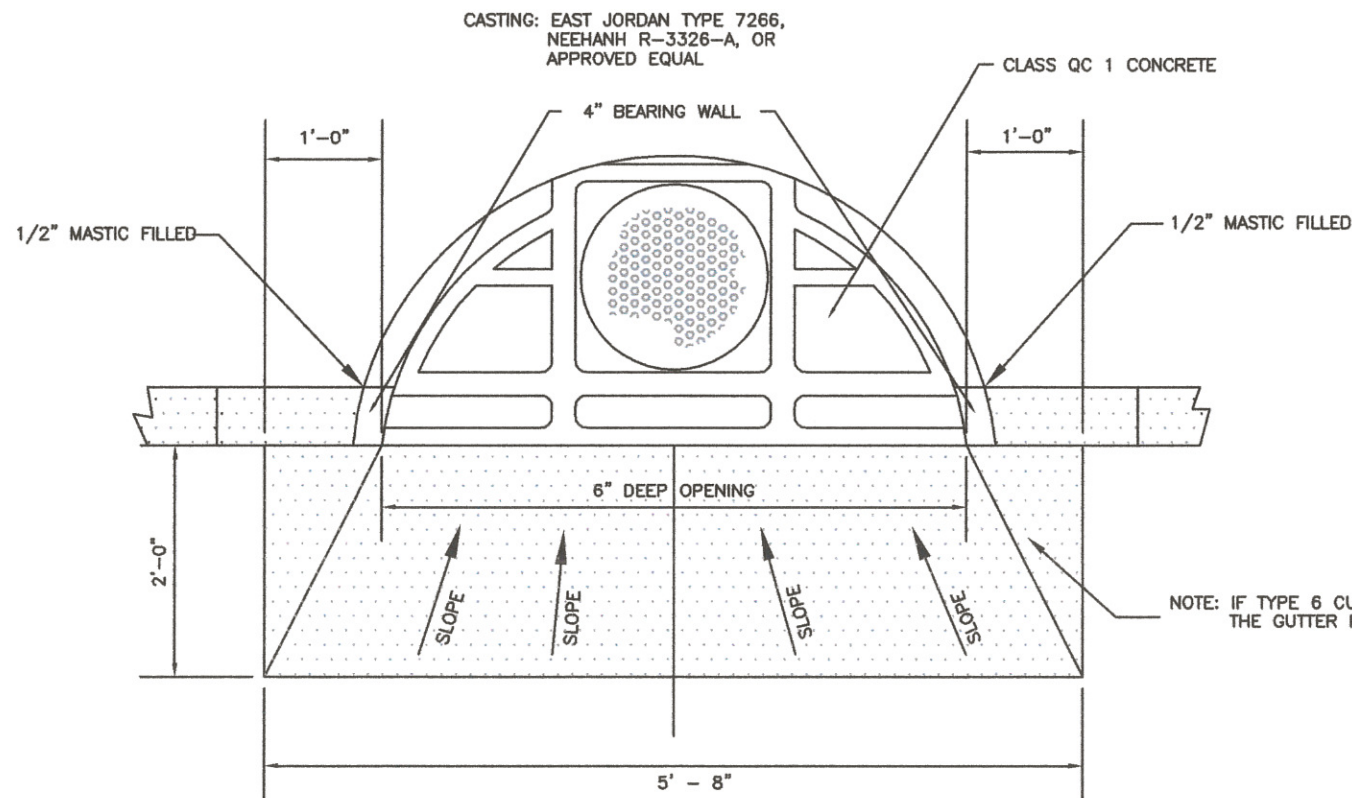
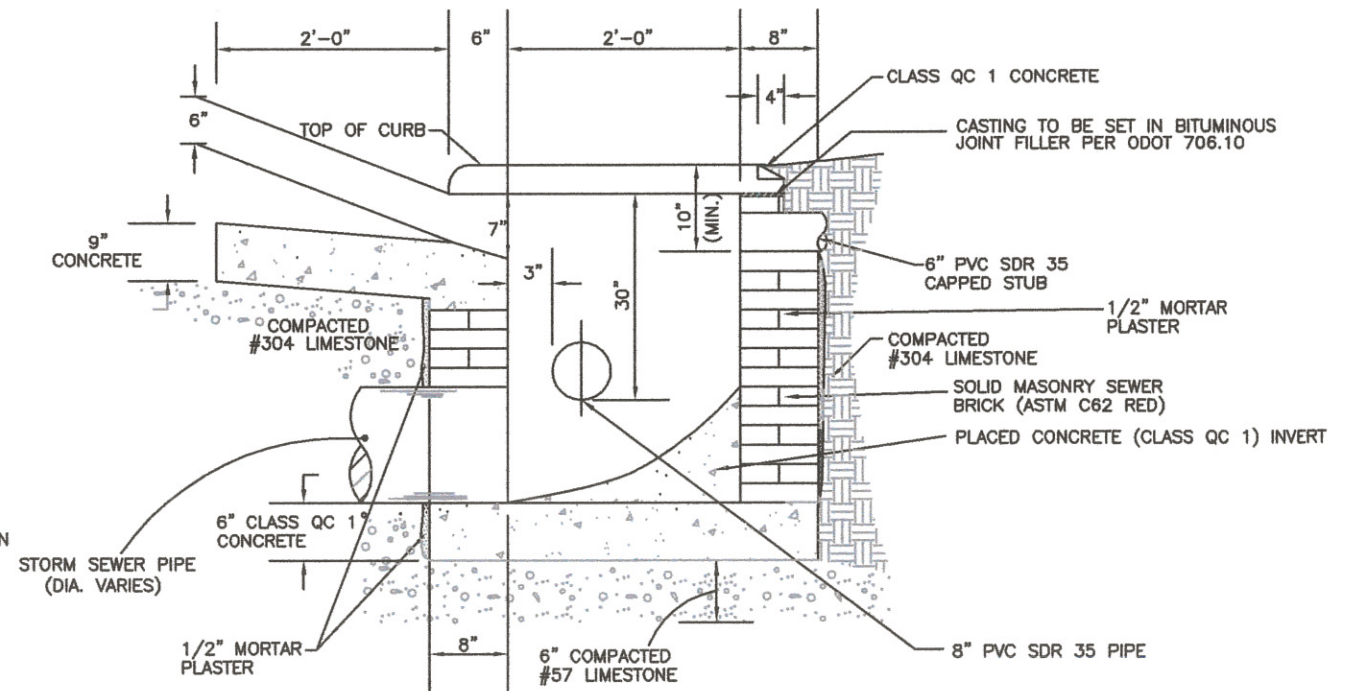


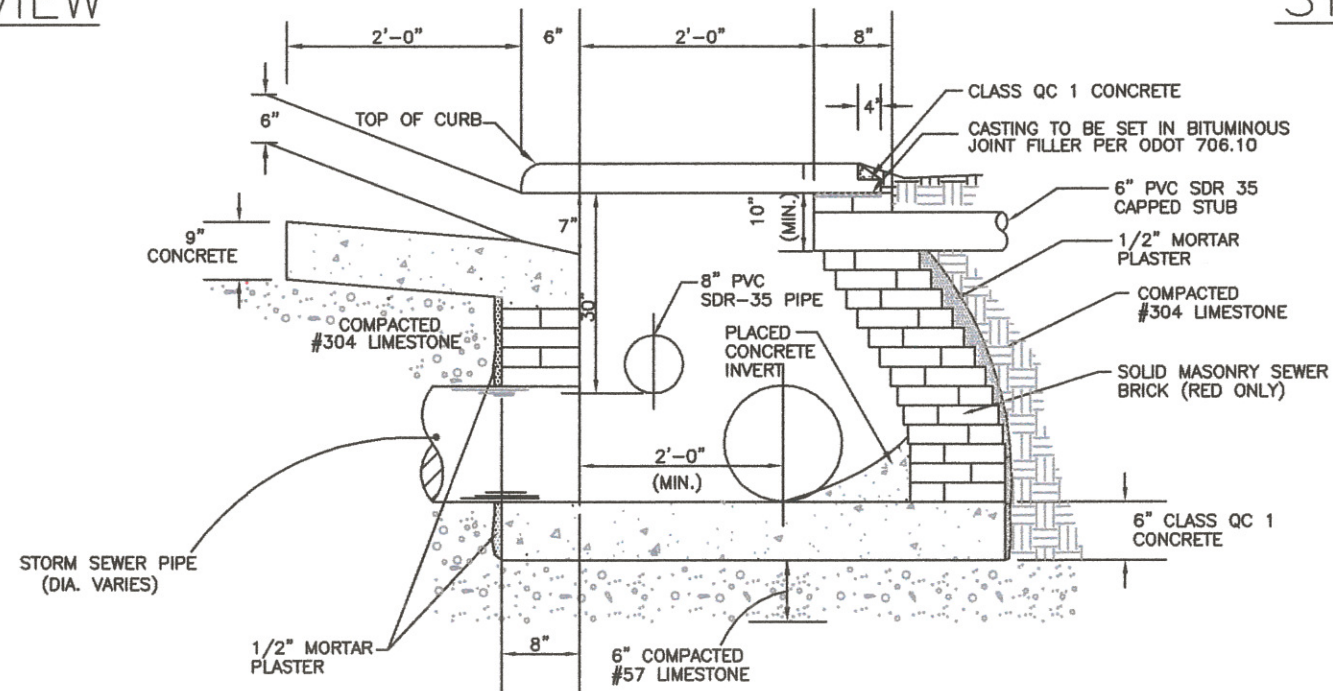
STOW TYPE 3 CATCH BASIN AND INLET TOP



PLAN VIEW



STOW INLET 3



COMBINATION INLET

| | |
|---|--------|
| CITY OF STOW, OHIO ENGINEERING DEPT. | |
| CONSTRUCTION STANDARD | |
| DRAWN BY: MJJ DATE REVISED: 3/3/16 | |
| CITY ENGINEER: <i>James D. McCreary</i> | |
| DATE: <i>3/4/16</i> | |
| DWG FILE: SDS-2 | N.T.S. |