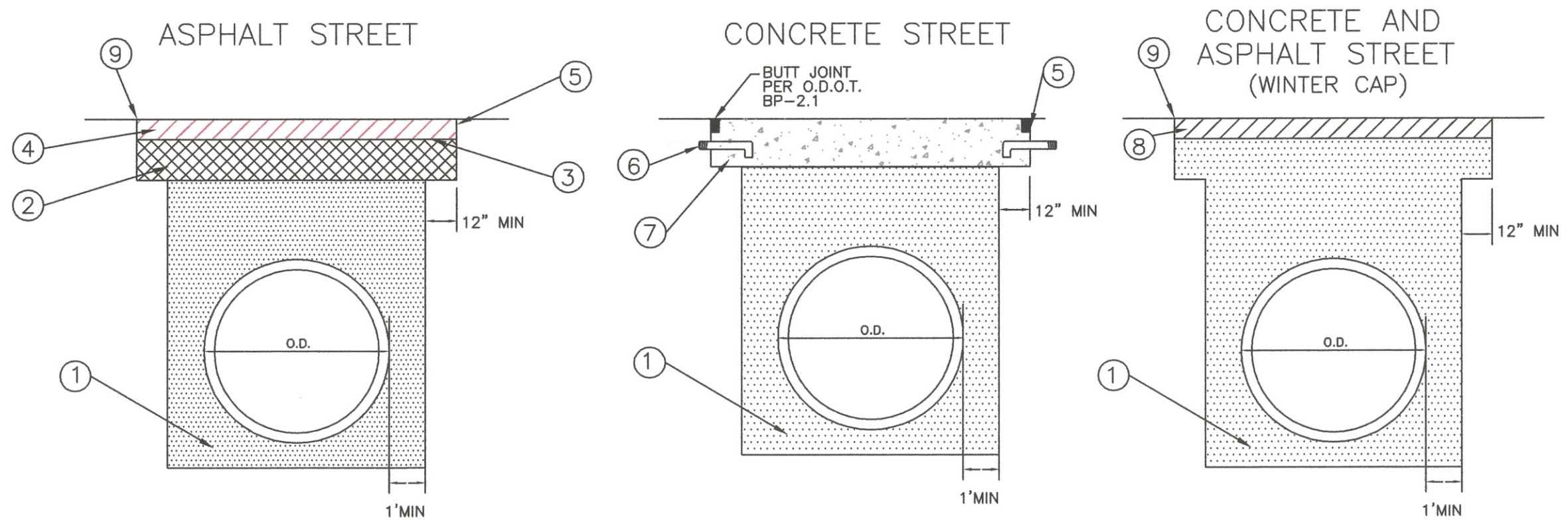


STREET RESTORATION

PAVEMENT REPLACEMENT DETAIL



- ① - BACKFILL TO BE LOW STRENGTH MORTAR, 100 PSI COMPRESSIVE STRENGTH PER ODOT 613.03 TYPE 2
- ② - 9.5" ITEM 301 ASPHALT CONCRETE BASE, COMPACTED IN TWO LIFTS MINIMUM, DEPTH TO MATCH EXISTING ASPHALT, IF GREATER
- ③ - ITEM 407 TACK COAT @ 0.075 GAL/SY
- ④ - 2" ITEM 448 ASPHALT CONCRETE SURFACE COURSE, TYPE 1, PG 64-22, LIMESTONE AGGREGATE, VIRGIN MATERIAL ONLY
- ⑤ - JOINT SEALER, AC-20 OR EQUAL
- ⑥ - HOOKBOLT PER O.D.O.T. BP 2.1, TYPE D DRILLED

- ⑦ - 7" MIN. (OR MATCH EXISTING) ITEM 452 NON-REINFORCED CONCRETE PAVEMENT, CLASS QC MS
- ⑧ - 3" ODOT QC FS CONCRETE CAP - TO BE REMOVED AT TIME OF PERMANENT REPAIR
- ⑨ - ALL JOINTS MUST BE FULL DEPTH SAW CUT PER O.D.O.T. 255.03, WITH DUST CONTROL BY WATER APPLICATION.

CITY OF STOW, OHIO
ENGINEERING DEPT.

CONSTRUCTION STANDARD

DRAWN BY: MJJ DATE REVISED: 3/3/16

CITY ENGINEER: *James D. McCleary*

DATE: 3/4/16

DWG FILE: SDR-1

N.T.S.