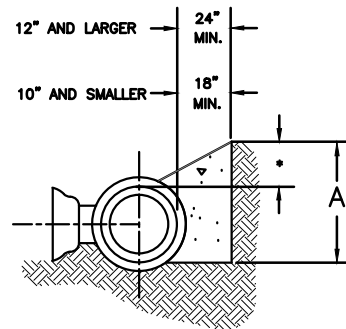


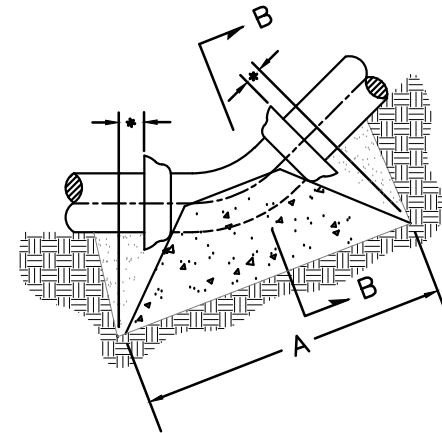
VERTICAL BEND
(DOWNWARD)

MINIMUM VOLUME OF CONCRETE FOR TOP VERTICAL BENDS

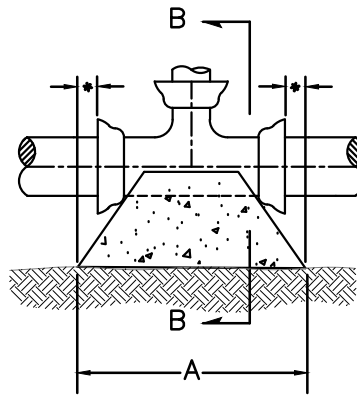
6"	4 C.F.
8"	11 C.F.
10"	22 C.F.
12"	37 C.F.
16"	71 C.F.



TYPICAL CROSS SECTION



HORIZONTAL BEND & VERTICAL BEND

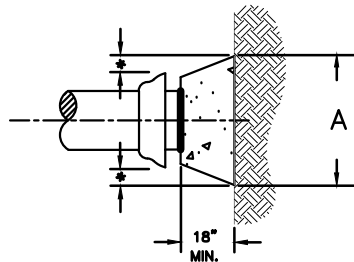


PLAN VIEW OF TEE

**A
HORIZONTAL BENDS**

	90°	45°	22 1/2°	TEE	PLUG
6"	17"	13"	9"	13"	14"
8"	23"	17"	12"	17"	19"
10"	28"	21"	15"	21"	24"
12"	34"	25"	18"	25"	29"
16"	45"	33"	24"	28"	38"

* 6" MINIMUM



PLUG*

* = IF THE PLUG REQUIRES A BLEEDER BY THE C.O.S. REFER TO THE C.O.S. BLEEDER DETAIL

- NOTES: 1. THE C.O.S. ENGINEERING DEPT. SHALL SPECIFY BLOCKING FOR AREAS ABOVE 80 PSI PRESSURE.
2. HARDWOOD BLOCKING SHALL BE USED IN ADDITION TO THE CONCRETE AS DIRECTED BY THE C.O.S.

TYPICAL THRUST RESTRAINING AND BLOCKING DETAIL

CITY OF STOW WATER DEPARTMENT

DRAWN BY: TJS

APPROVED BY:

DATE: MAY, 2004

J. William Orew

REVISED:

DRAWING NAME: SDW-8.DWG

MAY, 2003