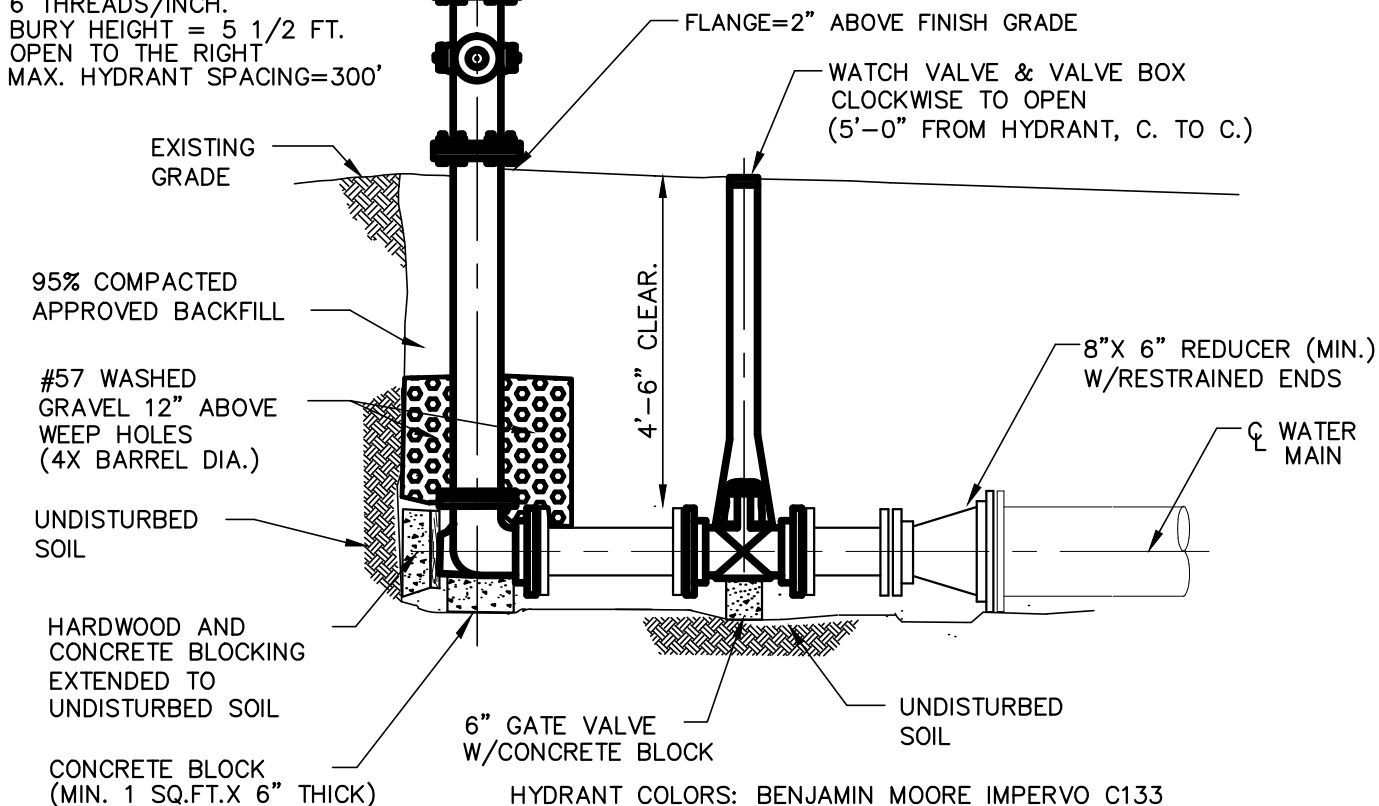


APPROVED HYDRANTS:
 AMERICAN B-84-B, OR
 MUELLER CENTURION A-423.
 ONE-4 1/4" STEAMER NOZZLE
 (SHALL FACE STREET ONLY)
 & TWO-2 1/2" HOSE NOZZLES
 ALL W/HIGBEE CUT THREADS
 6 THREADS/INCH.
 BURY HEIGHT = 5 1/2 FT.
 OPEN TO THE RIGHT
 MAX. HYDRANT SPACING=300'

NOTE: RESTRAINED JOINTS MAY BE EITHER MECHANICAL JOINT WITH
 MEGALUG FOLLOWER GLAND OR ANCHOR PIPE.

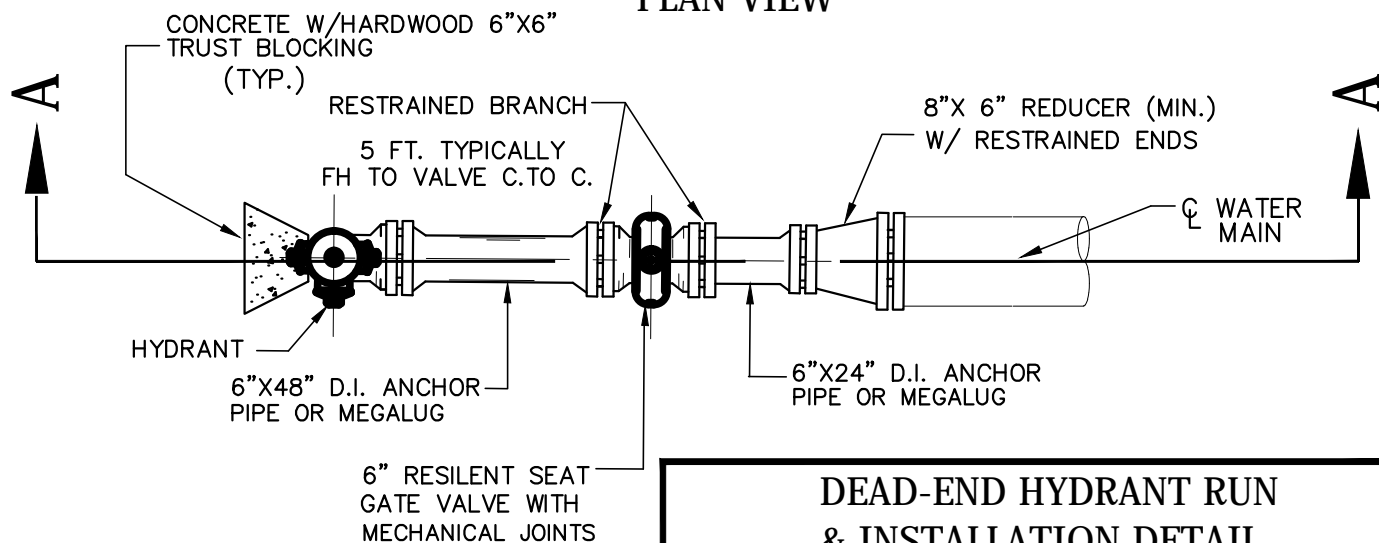
NOTE: ALL WATERLINES SHALL BE BED IN 4" OF SAND & BACKFILL
 12" ABOVE TOP OF PIPE WITH SAND.



HYDRANT COLORS: BENJAMIN MOORE IMPERVO C133
 ALKYD HIGH GLOSS METAL ENAMEL
 CITY HYDRANTS = CARNIVAL RED
 PRIVATE HYDRANTS = SUN YELLOW BARRELS
 WITH CARNIVAL RED CAPS AND BONNET

SECTION A-A VIEW

PLAN VIEW



**DEAD-END HYDRANT RUN
 & INSTALLATION DETAIL**

CITY OF STOW WATER DEPARTMENT

DRAWN BY: TJS

APPROVED BY:

DATE: MAY, 2002

REVISED:

MAY, 2002

DRAWING NAME: SDW-2.DWG

J. William Orner