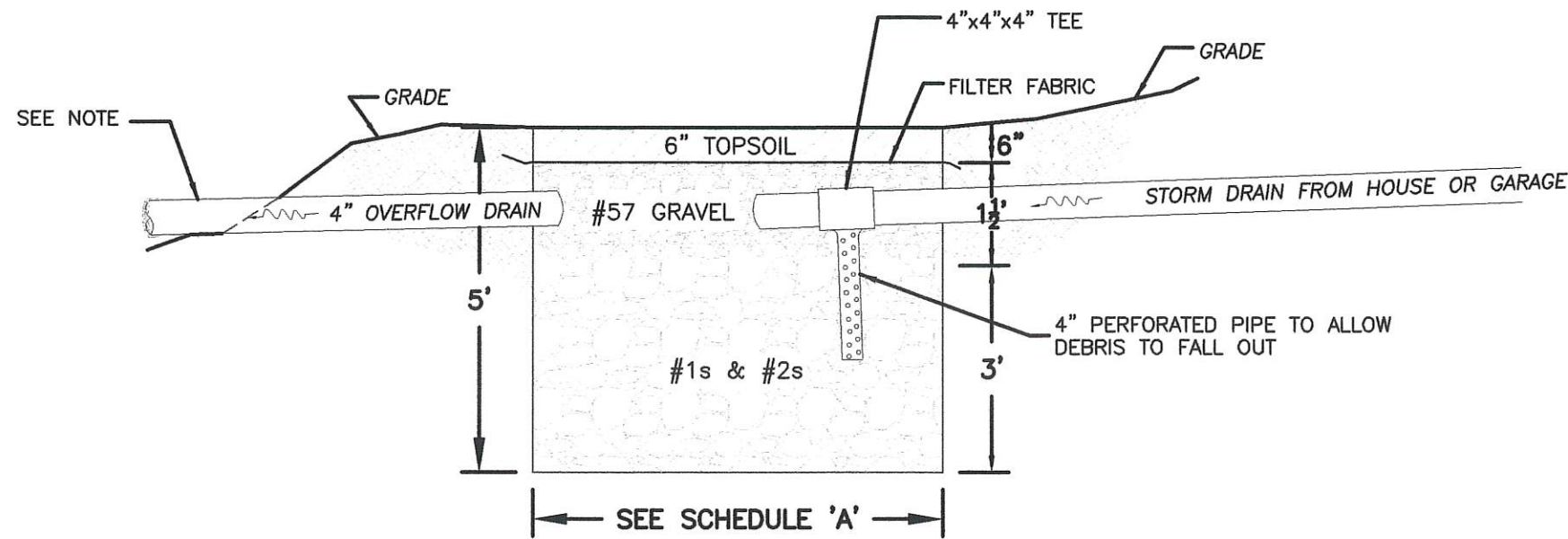
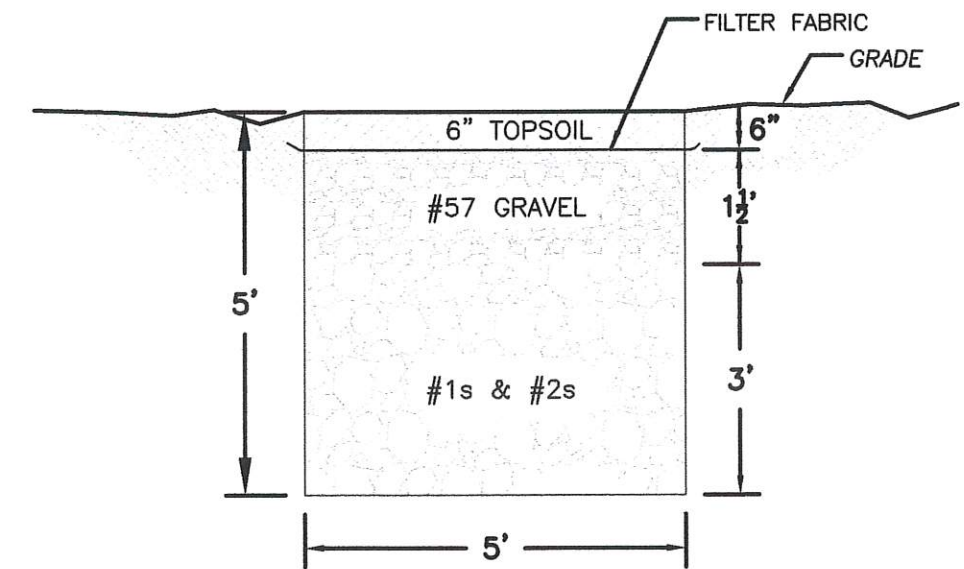


DRY WELL DETAIL



SIDE VIEW



FRONT VIEW

NOTES:

- DRAIN CULVERT TO DAYLIGHT IF POSSIBLE. INSTALL STRAINER AT TERMINATION OF DRAIN AS SHOWN
- INSTALL EROSION PROTECTION AT OUTLETS.
- OUTLET MUST BE MINIMUM 10 FEET FROM PROPERTY LINE AND NOT DRAIN DIRECTLY ON NEIGHBORS PROPERTY.
- DRY WELL DETAIL IS TO BE USED AS A GUIDELINE FOR CONSTRUCTION ONLY.

SCHEDULE A	
SIZE OF DRY WELL SHOULD BE CALCULATED USING SQ. FOOTAGE OF STRUCTURE'S ROOF AREA	
ROOF SQ. FOOTAGE	DRY WELL DIMENSIONS (DxWxL)
1000-2000	5' X 5' X 4'
2000-3000	5' X 5' X 6'
3000-4000	5' X 5' X 8'
4000-UP	5' X 5' X 10'

CITY OF STOW, OHIO ENGINEERING DEPT.
CONSTRUCTION STANDARD
DRAWN BY: MJJ DATE REVISED: 2/19/16
CITY ENGINEER: <i>James D. McCleary</i>
DATE: <i>3/4/16</i>
DWG: SDS-8 N.T.S.