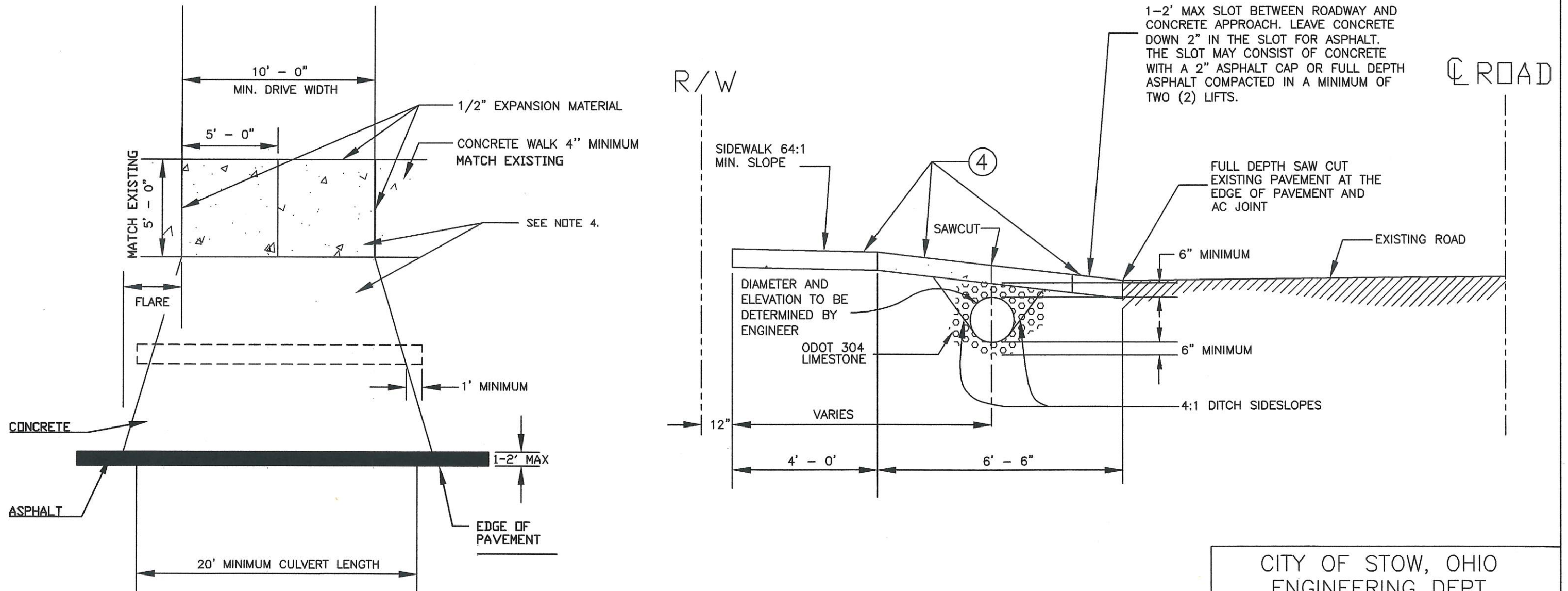


NEW CULVERT INSTALLATION ASPHALT ROAD WITH SIDEWALK



1. PERMIT MUST BE OBTAINED AT ENGINEERING DEPT.
2. OWNER/CONTRACTOR MUST NOTIFY THE CITY OF STOW ENGINEERING DEPARTMENT 72 HR PRIOR TO INSTALLATION IN ORDER TO DETERMINE THE INVERT ELEVATION AND SIZE OF THE CULVERT TO BE INSTALLED.
3. OWNER/CONTRACTOR MUST CONFIRM WITH THE CITY OF STOW ENGINEERING DEPARTMENT, A MINIMUM OF 24 HOURS IN ADVANCE TO THE SCHEDULE INSTALLATION INSPECTION.
4. ALL RESIDENTIAL DRIVE APPROACHES AND SIDEWALK INSTALLATIONS SHALL BE 8" MINIMUM THICKNESS AT BACK OF CURB (10" COMMERCIAL) FOR 12" THEN TAPERED TO 6" (8" COMMERCIAL) AT SIDEWALK WITH A 3' STANDARD FLARE EACH SIDE. ON STREETS WITHOUT CURBS ANY FLARE GREATER THEN 3' MUST BE APPROVED BY THE CITY ENGINEER.

CITY OF STOW, OHIO ENGINEERING DEPT.
CONSTRUCTION STANDARD
DRAWN BY: JHC DATE REVISED: 7/24/23
CITY ENGINEER: <i>James D. McCleary</i>
DATE: <u>7/28/23</u>
DWG FILE: SDS-5 N.T.S.