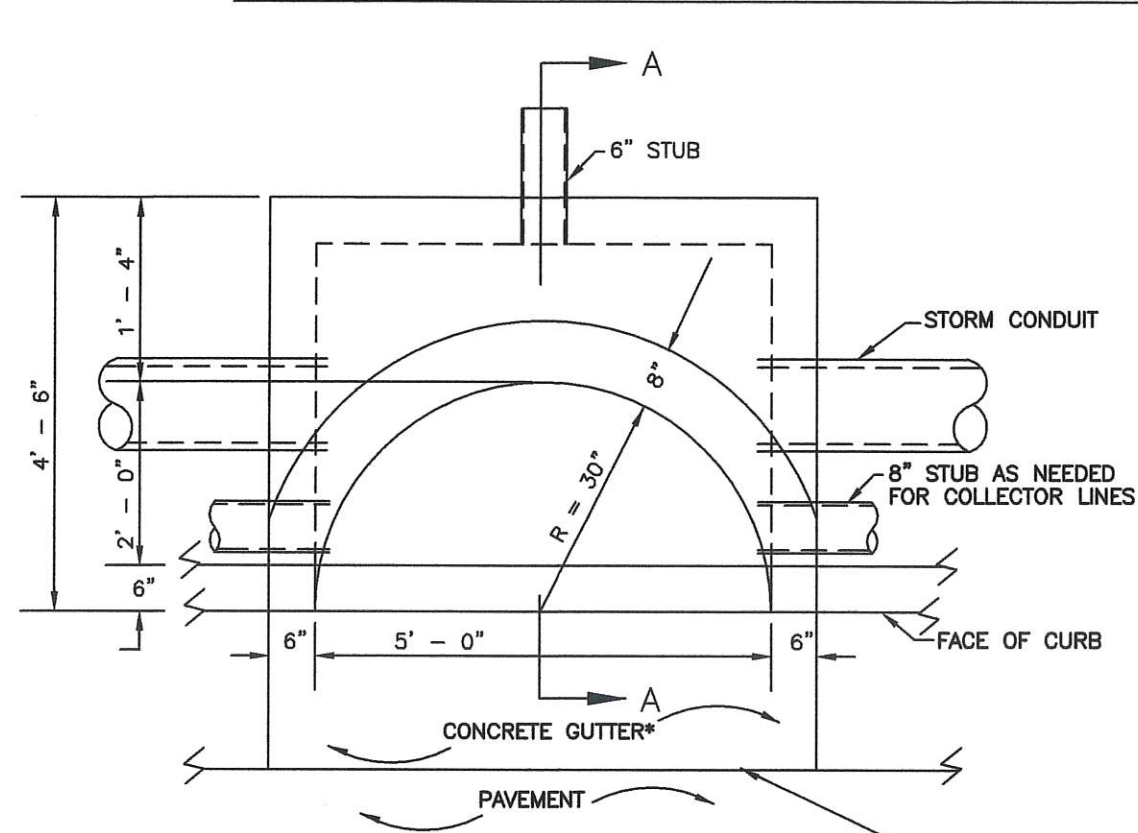
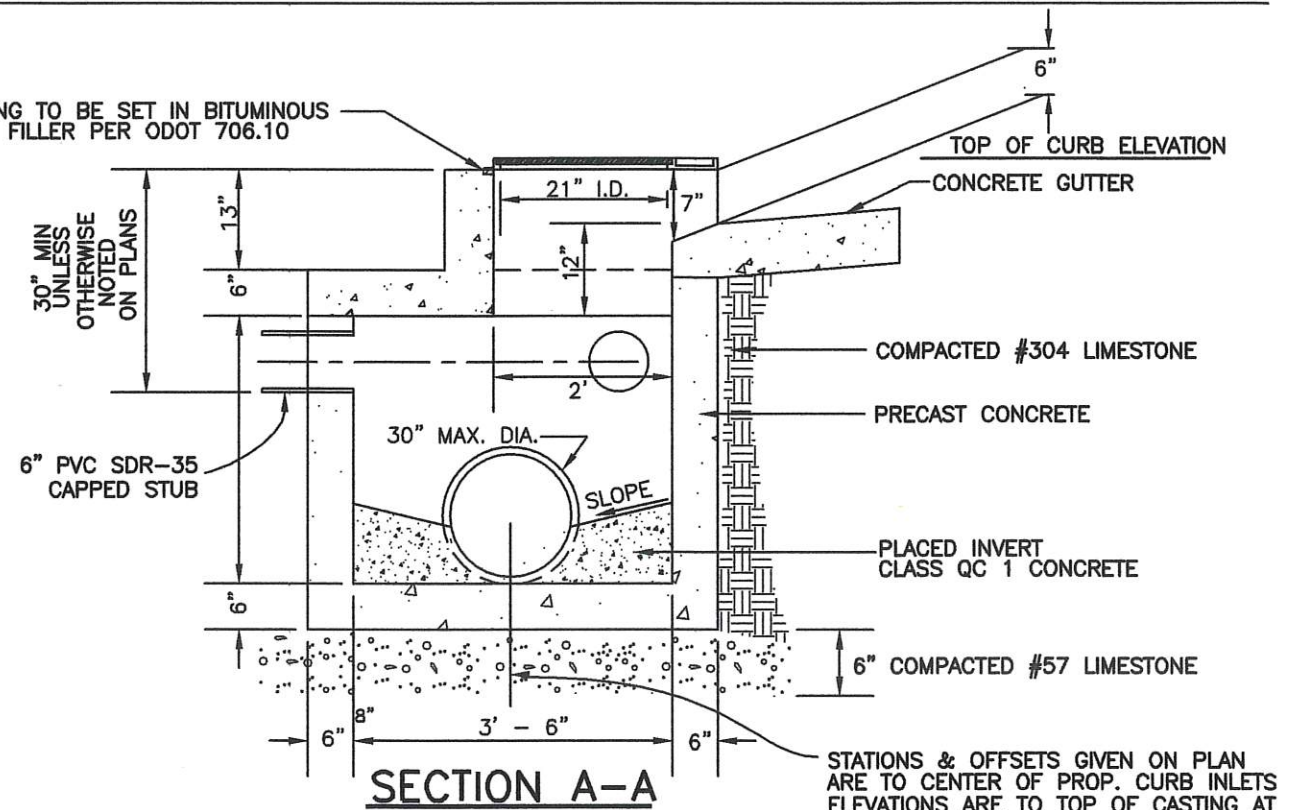


# STANDARD PRECAST STOW TYPE 3 CATCH BASIN REPLACEMENT



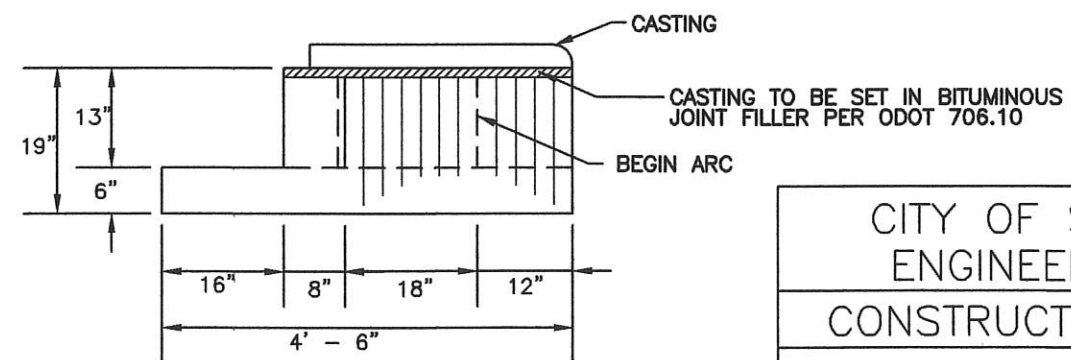
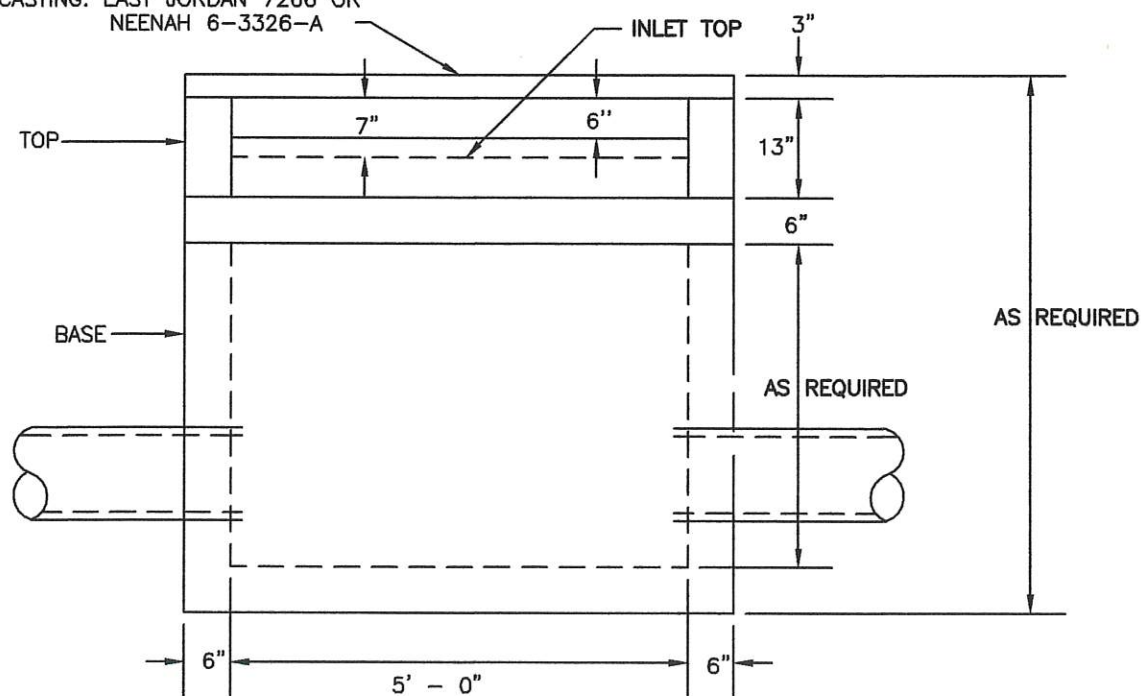
\*NOTE: IF TYPE 6 CURB IS INSTALLED THEN THE GUTTER IS TO BE ASPHALT.

CASTING TO BE SET IN BITUMINOUS JOINT FILLER PER ODOT 706.10



STATIONS & OFFSETS GIVEN ON PLAN ARE TO CENTER OF PROP. CURB INLETS. ELEVATIONS ARE TO TOP OF CASTING AT CENTER OF CB.

CASTING: EAST JORDAN 7266 OR NEENAH 6-3326-A



CITY OF STOW, OHIO ENGINEERING DEPT.	
CONSTRUCTION STANDARD	
DRAWN BY: JHC DATE REVISED: 5/12/23	
CITY ENGINEER: <i>James D. McCleary</i>	
DATE: <i>7/28/23</i>	
DWG FILE: SDS-3	
N.T.S.	

NOTE - NOT FOR NEW CONSTRUCTION