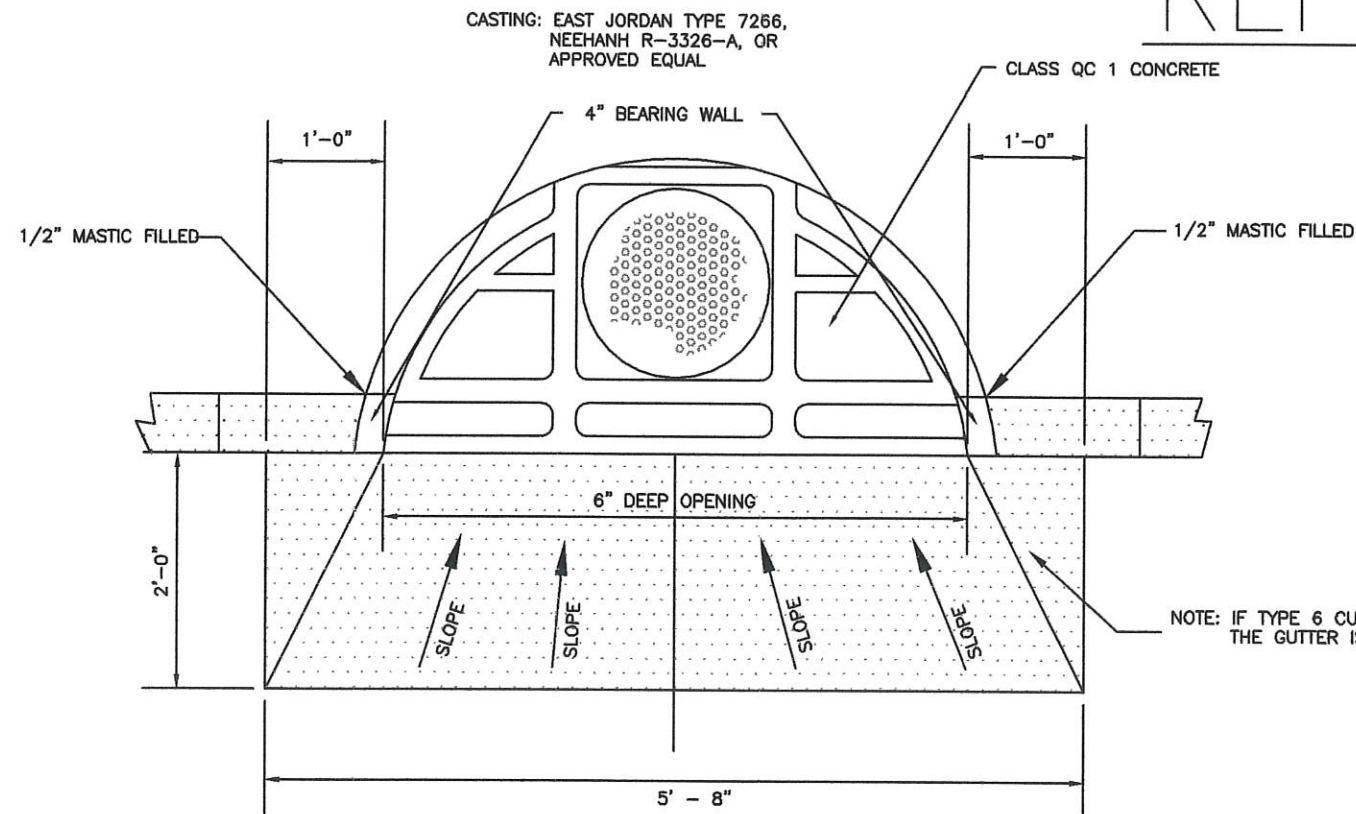
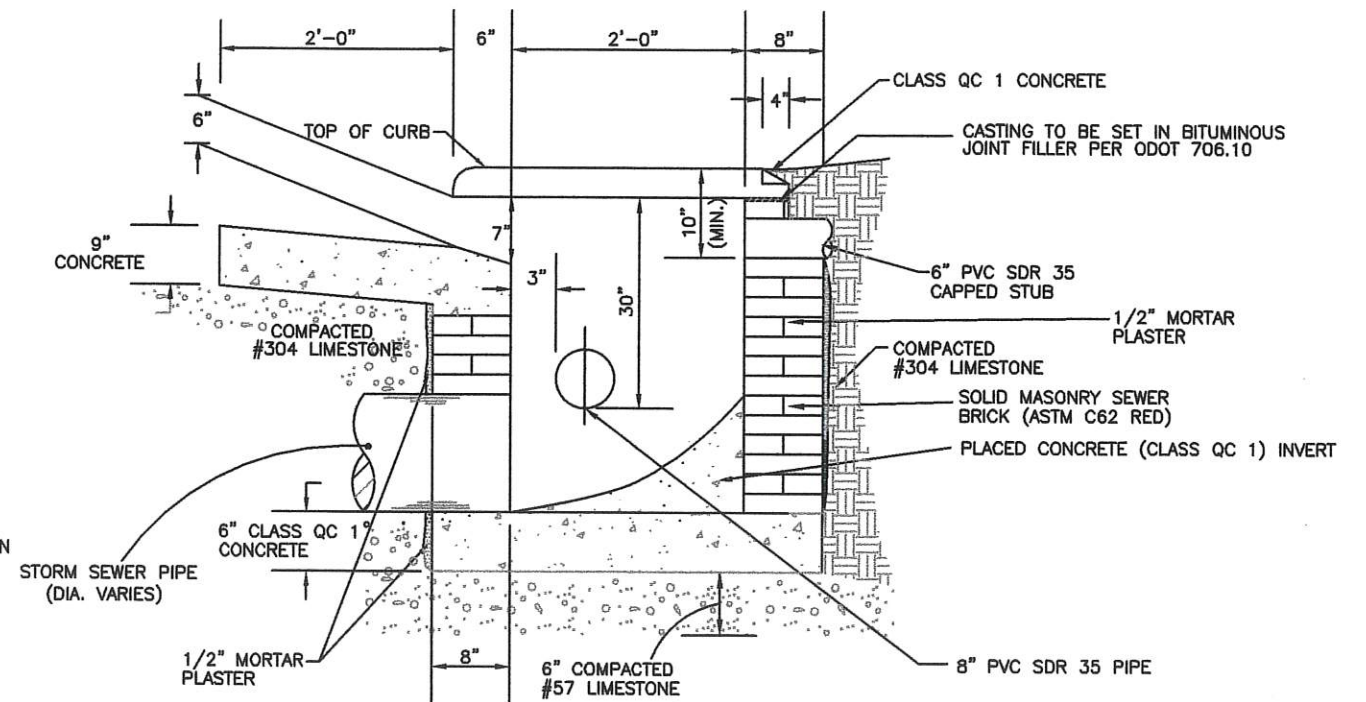


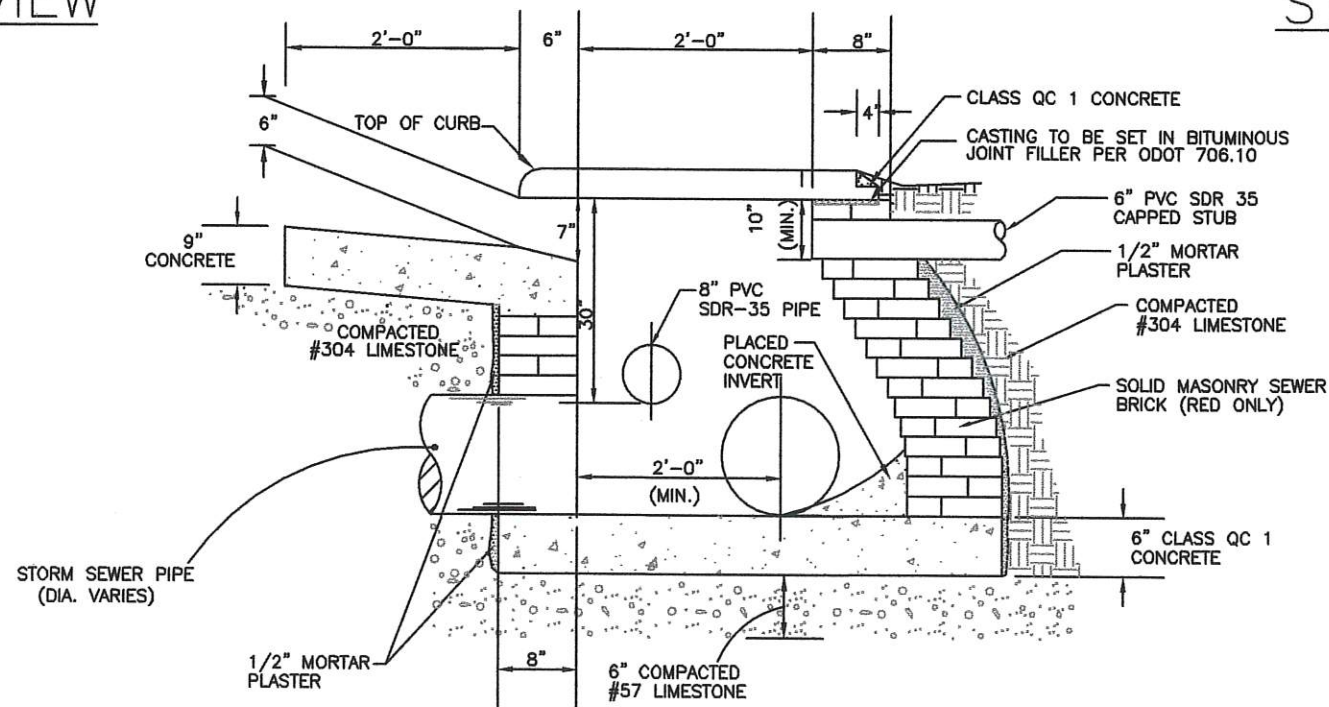
STOW TYPE 3 CATCH BASIN AND INLET TOP REPLACEMENT



PLAN VIEW



STOW INLET 3



COMBINATION INLET

NOTE - NOT FOR NEW CONSTRUCTION

CITY OF STOW, OHIO ENGINEERING DEPT.	
CONSTRUCTION STANDARD	
DRAWN BY: JHC DATE REVISED: 5/12/23	
CITY ENGINEER: <i>James D. McCleary</i>	
DATE: <u>7/28/23</u>	
DWG FILE: SDS-2	N.T.S.