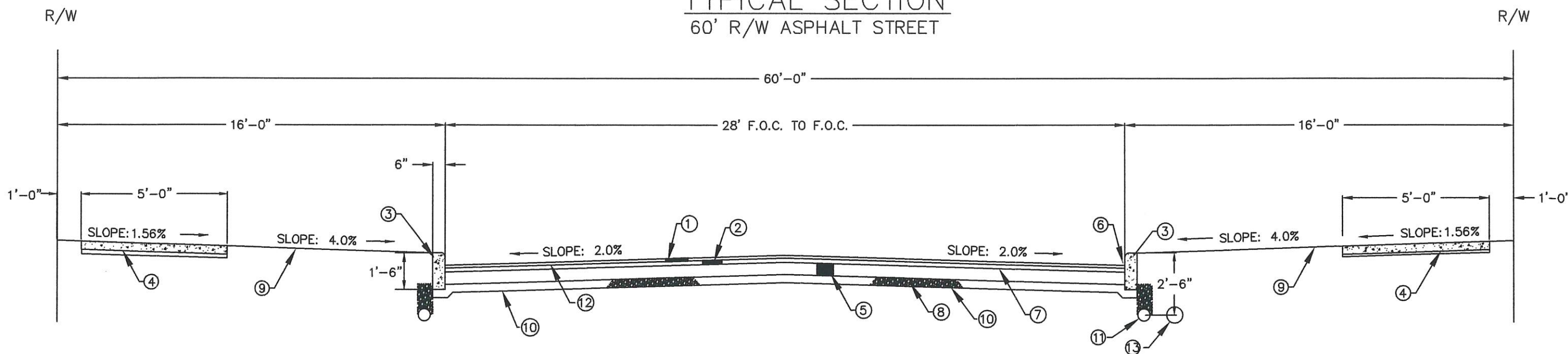


TYPICAL SECTION

60' R/W ASPHALT STREET



NOTES

A. AGGREGATES:

THE AGGREGATE USED IN ITEM 441 FOR ANY ASPHALT CONCRETE SURFACE COURSE SHALL ONLY BE VIRGIN CRUSHED LIMESTONE. RECLAIMED ASPHALT CONCRETE PAVEMENT WILL NOT BE ACCEPTED. AGGREGATES FOR THE 441 ASPHALT CONCRETE SURFACE COURSE, INTERMEDIATE COURSE AND 301 ASPHALT CONCRETE BASE MIX MUST MEET THE REQUIREMENTS OF THE LATEST ODOT CONSTRUCTION AND MATERIAL SPECIFICATION MANUAL EXCEPT AS MODIFIED HEREIN.

B. ITEM 301 - 6" ASPHALT CONCRETE BASE MUST BE INSTALLED IN TWO LIFTS AND COMPACTED WITH AN PNEUMATIC ROLLER.

C. ASPHALT CONCRETE:

ALL REQUIREMENTS IN SECTION 401 AND 441 OF THE ODOT CONSTRUCTION AND MATERIAL SPECIFICATIONS, CURRENT EDITION, SHALL APPLY TO MIXING, HAULING, SPREADING, COMPACTING AND TEMPERATURE RANGES OF ALL PLANT MIXES UNLESS OTHERWISE NOTED BY THE CITY OF STOW.

D. MIX DESIGN - TESTING:

AT LEAST TWO (2) WEEKS PRIOR TO ROADWAY CONSTRUCTION, THE CONTRACTOR SHALL SUBMIT A JOB MIX FORMULA FOR EACH SPECIFIED MATERIAL. MIXES SHOULD BE ODOT MEDIUM TRAFFIC PROVEN AND ACCEPTED DESIGNS COMPLYING WITH THE CITY OF STOW CRITERIA NOTED ABOVE. NO PAVEMENTS SHALL BE PLACED WITHOUT A MIX DESIGN APPROVAL BY THE CITY OF STOW ENGINEER. DURING PAVING OPERATIONS, TWO (2) MATERIAL SAMPLES (PER MIX TYPE) PER DAY WILL BE OBTAINED AND SENT TO AN AUTHORIZED LABORATORY FOR EXTRACTION TESTING. BITUMEN DEVIATION RANGE IS -0.3% TO +0.3% AS PER ODOT ITEM 441. PAVEMENT ACCEPTANCE WILL BE BASED ON TEST RESULTS COMPARED TO MIX DESIGN SPECIFICATIONS. YIELD FOR AN ITEM 441 AND 301 MIXES IS 4,000 LBS. PER CUBIC YARD.

E. TACK COAT:

MATERIAL SHALL MEET APPLICABLE REQUIREMENTS OF ODOT ITEMS 407 AND 702 SPECIFICATIONS AND BE APPLIED AT 0.075 GALLONS PER SQUARE YARD ON BASE COURSE AND AT 0.04 GAL/SY ON INTERMEDIATE COURSE OR WHEN DIRECTED BY THE CITY OF STOW.

F. LIMESTONE AGGREGATE BASE:

THE CONTRACTOR SHALL INSTALL A SIX (6) INCH THICK COMPACTED NO. 304 MODIFIED LIMESTONE DRAINABLE BASE UNDER ALL PROPOSED PAVEMENT AREAS. BASE SHALL BE IN ACCORDANCE WITH ODOT ITEMS 304 AND 703.17 SPECIFICATIONS. YIELD SHOULD BE 4,000 LBS PER CUBIC YARD.

G. UNDERDRAINS:

CONTRACTOR SHALL USE 6" SDR-35 PVC WITH HOLES AND FILTER SOCK CONFORMING TO ODOT 707.41. CONTRACTOR SHALL USE CORRUGATED POLYETHYLENE PIPE CONFORMING TO ODOT 707.33 FOR ALL APPLICABLE RADIUS WHERE DEFLECTION OF RIGID PIPE CANNOT BE USED. BACKFILL MATERIAL FOR PVC PIPE SHALL BE No. 57 LIMESTONE AGGREGATE.

H. GEO-GRID

CONTRACTOR TO USE AS NEEDED. TENSAR TRIAX TX 130S

I. UNSUITABLE MATERIAL TO BE REMOVED AS DIRECTED

J. REFER TO THE PLAN AND PROFILE SHEETS FOR ADDITIONAL INFORMATION ON LOCATION OF STORM COLLECTOR LINES, STORM SEWERS, SANITARY SEWERS AND WATERMANS.

LEGEND

- ① ITEM 441 - 1 1/2" ASPHALT CONCRETE SURFACE COURSE, TYPE 1(449), PG 64-22 - VIRGIN LIMESTONE ONLY.
- ② ITEM 441 - 2" ASPHALT CONCRETE INTERMEDIATE COURSE TYPE 2(449), PG 64-22
- ③ ITEM 609 - ODOT TYPE 6 CONC. CURB
- ④ ITEM 608 - 4" CONCRETE WALK WITH 2" #57 LIMESTONE AGGREGATE BASE
- ⑤ ITEM 301 - 6" ASPHALT CONCRETE BASE, PG 64-22
- ⑥ ALL CONTRACTION, EXPANSION AND CONSTRUCTION JOINTS, ETC. SHALL BE SEALED AS DIRECTED BY THE CITY OF STOW ENGINEER.
- ⑦ ITEM 407 - TACK COAT @ 0.075 GAL/SY
- ⑧ ITEM 304 - 6" COMPACTED MODIFIED LIMESTONE AGGREGATE BASE.
- ⑨ ITEM 659 - SEEDING AND MULCHING PER CITY OF STOW SPECIFICATIONS.
- ⑩ ITEM 203 - COMPACTED SUBGRADE, PROOF ROLL REQUIRED
- ⑪ ITEM 605 - 6" SDR-35 BASE UNDERDRAIN WITH FILTER FABRIC SOCK.
- ⑫ ITEM 407 TACK COAT FOR INTERMEDIATE COURSE @ 0.04 GAL/SY
- ⑬ STORM SEWER COLLECTOR LINE 6" OR 8" DIAMETER SDR-35 PVC CONDUIT WHERE NO STORM SEWER CONNECTION IS AVAILABLE.

CITY OF STOW, OHIO ENGINEERING DEPT.	
CONSTRUCTION STANDARD	
DRAWN BY: JHC DATE REVISED: 7/28/2023	
CITY ENGINEER: <i>James D. McCleary</i>	
DATE: <i>7/28/23</i>	
DWG FILE: SDR-3B	N.T.S.