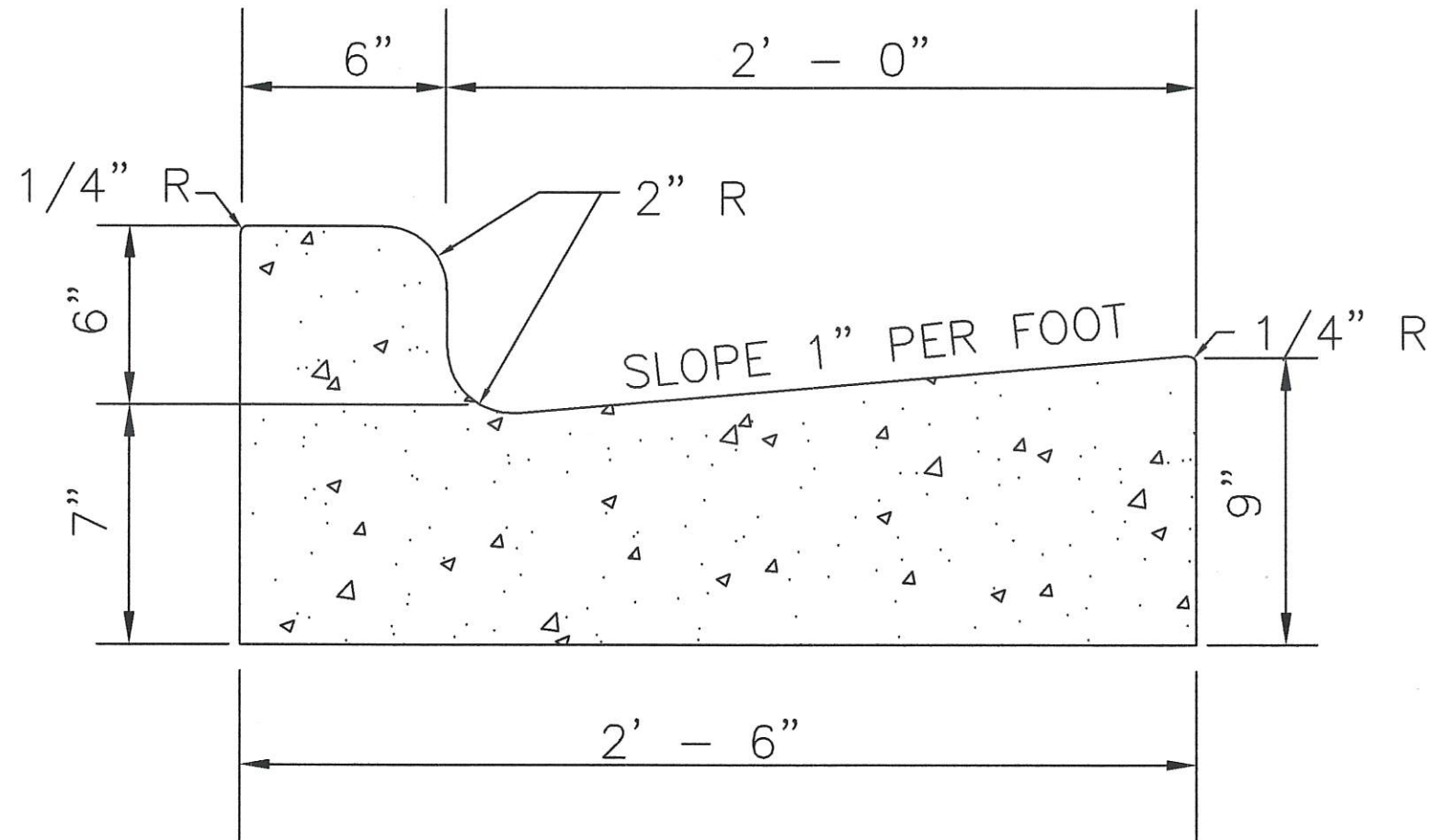


INTEGRAL CURB AND GUTTER TYPE 2-REPLACEMENT



STANDARD SECTION

NOTE - NOT FOR NEW CONSTRUCTION

CITY OF STOW, OHIO ENGINEERING DEPT.	
CONSTRUCTION STANDARD	
DRAWN BY: JHC DATE REVISED: 5/12/23	
CITY ENGINEER: <i>James D. McCleary</i>	
DATE: <i>7/28/23</i>	
DWG FILE: SDR-4	N.T.S.